

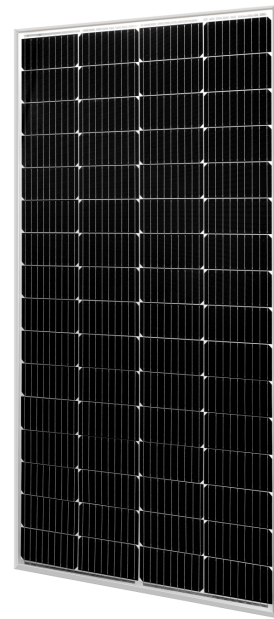
Monocrystalline Module Models

SG-200WM

Electrical Specifications

*STC : Irradiance 1000W/m², AM1.5 spectrum, module temperature 25°C

Model type	SG-200WM
Peak power (Pmax)	200W
Cell Efficiency	23.52%
Maximum power voltage (Vmp)	37.9V
Maximum power current (Imp)	5.28A
Open circuit voltage (Voc)	43.5V
Short circuit current (Isc)	5.56A
Power Tolerance	±3%
Maximum system voltage	1000V
Series fuse rating (A)	8
Number of bypass diode	2



Temperature Coefficients

Current Temperature Coefficient α(Isc)	0.03%/°C
Voltage Temperature Coefficient β(Voc)	-0.32%/°C
Power Temperature Coefficient	-0.42%/°C
Nominal Temperature Of Cells(NOTC)	46±2°C
Application Temperature Range	-40~+85°C

Mechanical Characteristics

Dimensions :	1400x 700 x 30mm (55.1x 27.6 x1.2 inch)
Weight:	9.86kg (21.7lbs)
Solar Cells:	64 cells in series(4x 16)
Construction:	High-transmission low-iron tempered glass , EVA, TPE
Frame:	Anodized aluminum is mainly for improving corrosion resistance. Color: silver

Output

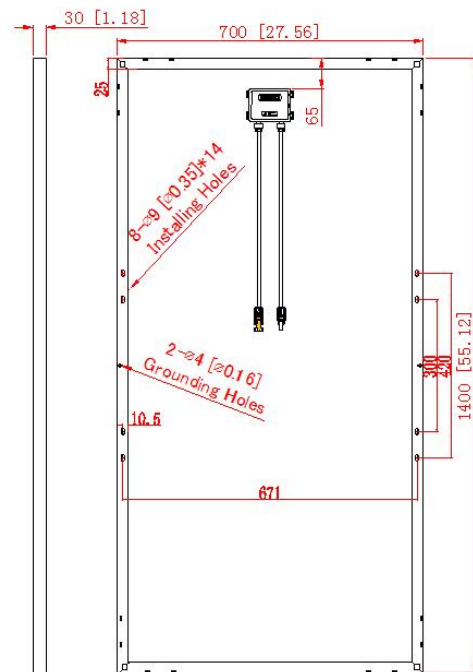
Cable	LAPP(4mm ²)
Lengths	900mm(+) and 900mm(-)
Connector	MC IV Plug

Module Warranty:

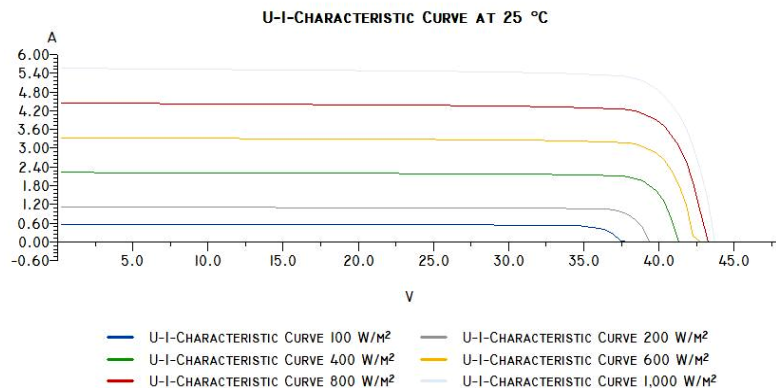
- 25-year limited warranty of 80% power output;
- 10-year limited warranty of 90% power output;
- 5-year limited warranty of materials and workmanship.

Note: This publication summarizes product warranty and Specifications which are subject to change without notice

Product photos are for reference only, on behalf of actual product.



Module Diagram



Electrical Performance