

Deka®

SOLAR

PHOTOVOLTAIC BATTERIES

8G30-DEKA

- Designed to provide reliable, long lasting back-up power for Photovoltaic (PV) and renewable energy applications where frequent deep cycles are required and minimum maintenance is desirable
- Reinforced case resists bulging and meets safety requirements
- Genuine Gel Technology
- Case & cover heat sealed and 100% tested to prevent leaks
- Computer-aided design and manufacturing control processes and standards to ensure quality products
- Applications: Water Pumping, Residential / Small Village, Cathodic Protection, Remote Monitoring, Lighting, Wind Generation, & Railway Signal.



SPECIFICATIONS

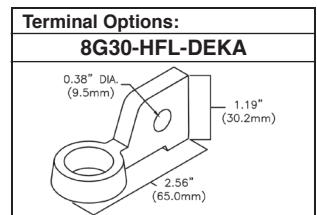
- Nominal Voltage:** 12-Volt
- Rating:** 97.6 Ampere-Hours @ 20 hr rate to 1.75 VPC
- Positive Plate:** Pure Lead, Calcium Alloy
- Negative Plate:** Pure Lead, Calcium Alloy
- Container:** Polypropylene
- Safety Vent:** Low positive pressure, self-sealing

PHOTOVOLTAIC CHARGING PARAMETERS

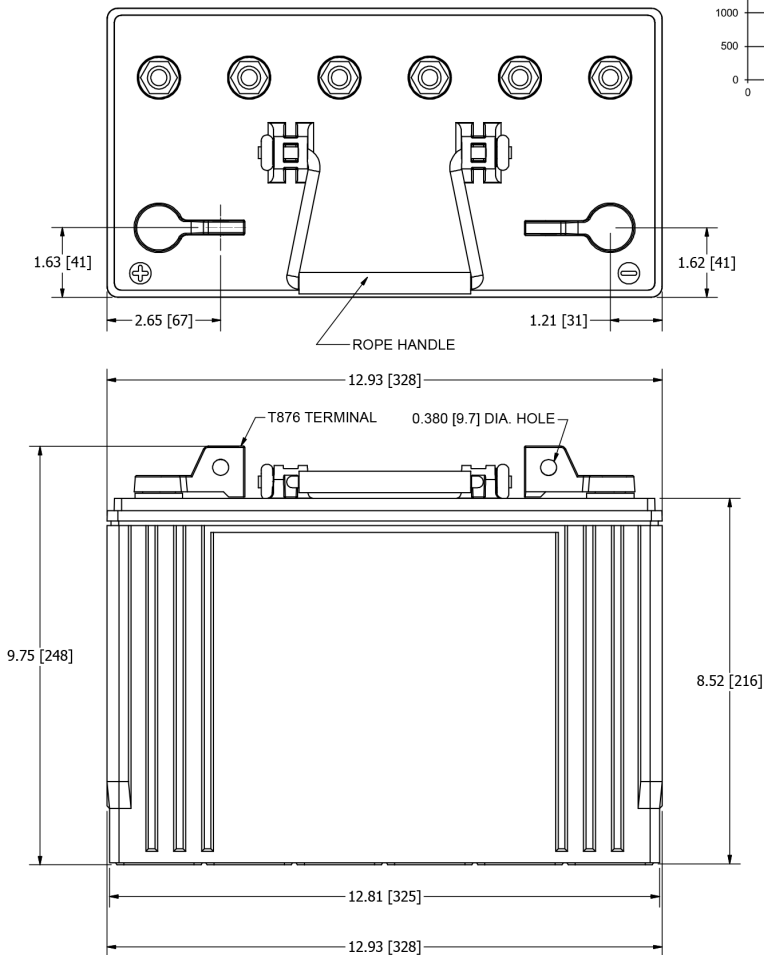
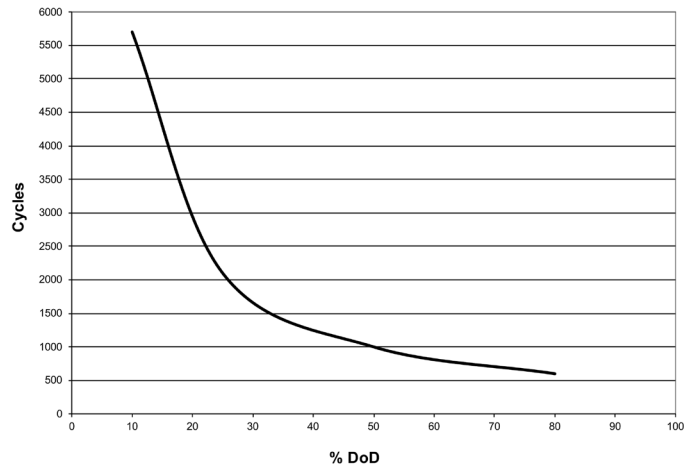
| Charge Type | Max. Current (AMPS) | Voltage Range |
|--------------------------------|---------------------|--------------------|
| Bulk Charge | 30% of 20HR Rate | |
| Absorption (Regulation) Charge | Constant Voltage | 2.35 – 2.40 V.P.C. |
| Float Charge | Constant Voltage | 2.24 – 2.26 V.P.C. |
| Equalize Charge | Constant Voltage | 2.40 – 2.43 V.P.C. |
| Temperature Coefficient | 0.003 V / °C | |

| BATTERY PART NUMBER | PERFORMANCE (AH) ¹ TO 1.75 VPC | | SHORT CIRCUIT CURRENT | TERMINAL TORQUE MAX. IN/LB (NM) | APPROXIMATE WEIGHT | | BATTERY DIMENSIONS | | | | | |
|--|---|--------|-----------------------|---------------------------------|--------------------|----|--------------------|-----|-------|-----|---------------------|-----|
| | 20 HR | 100 HR | | | LB | KG | LENGTH | | WIDTH | | HEIGHT ² | |
| | | | | | | | IN | MM | IN | MM | IN | MM |
| 12-VOLT SOLAR VRLA (Gel) MONOBLOC | | | | | | | | | | | | |
| 8G30-HFL-DEKA | 97.6 | 108 | 2730 | 40 (4.5) | 68.5 | 31 | 12.93 | 328 | 6.74 | 171 | 9.75 | 248 |

1 – Ratings after 15 Cycles
 2 – Height to top of terminal



GEL CYCLE LIFE VS. DEPTH OF DISCHARGE AT 25°C (77°F) BASED ON BCI-2HOUR CAPACITY



PROPOSITION 65 WARNING: Battery posts, terminals and related accessories contain lead and lead compounds, chemicals known to the State of California to cause cancer and reproductive harm. Batteries also contain other chemicals known to the State of California to cause cancer. **WASH HANDS AFTER HANDLING.**



QUALITY SYSTEM
 CERTIFIED
ISO 9001
IATF 16949
 ENVIRONMENTAL
 SYSTEM CERTIFIED
ISO 14001



East Penn Manufacturing Co. Subsidiary

1-800-372-9253. www.mkbattery.com

e-mail: sales@mkbattery.com