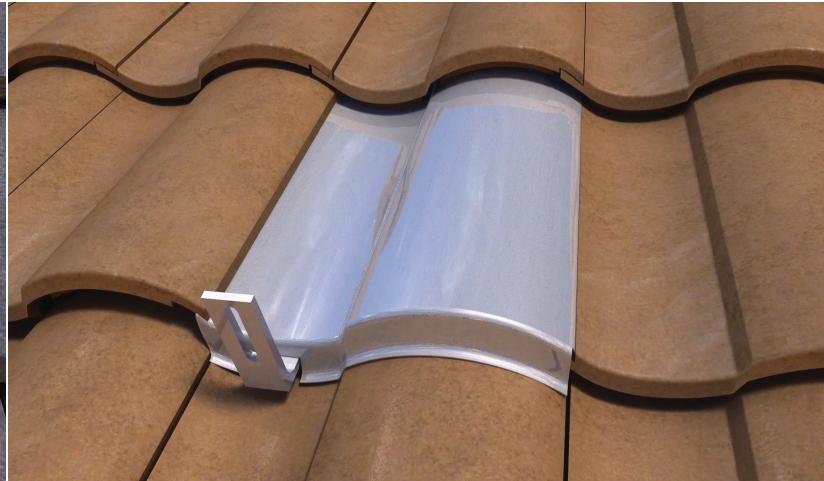
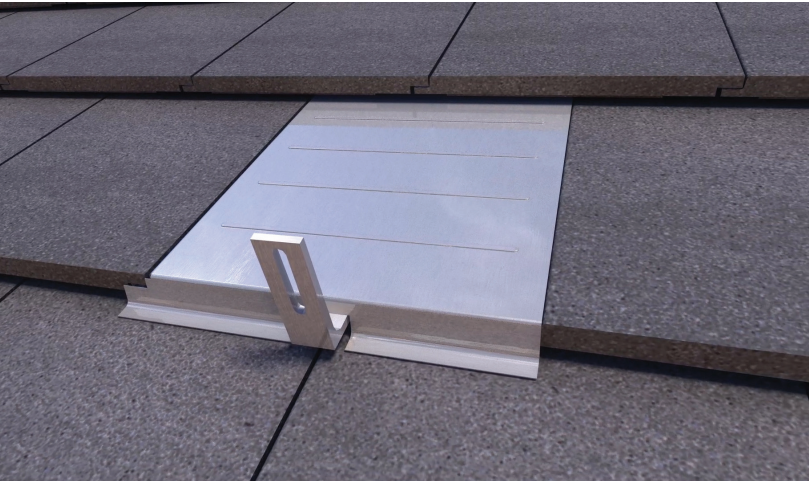


Tile Replacement Flashing For Tile Hooks

For use with Flat, S, & W shaped tiles



Installation Instructions

Quick Mount PV[®]
RESPECT THE ROOF

Instructions: QMTRF - Tile Replacement Flashing

Installation Tools Required: tape measure, aviation type tin snips, chalk or crayon, roofing bar.

NOTE: Installation method is the same for all tile replacement flashing profiles.



Remove a tile and install the tile hook of your choice to a rafter. Properly flash the hook using preferred method. Prop up adjacent tiles to the side and above using roofing bars.



Place the Tile Replacement Flashing matching the roof's tile profile over the mount and measure or mark off the position of the tile hook at the bottom edge of the flashing.



Using a pair of tin snips, make two cuts to the bottom edge of the flashing and bend the tab up, creating a space for the tile hook to pass through.



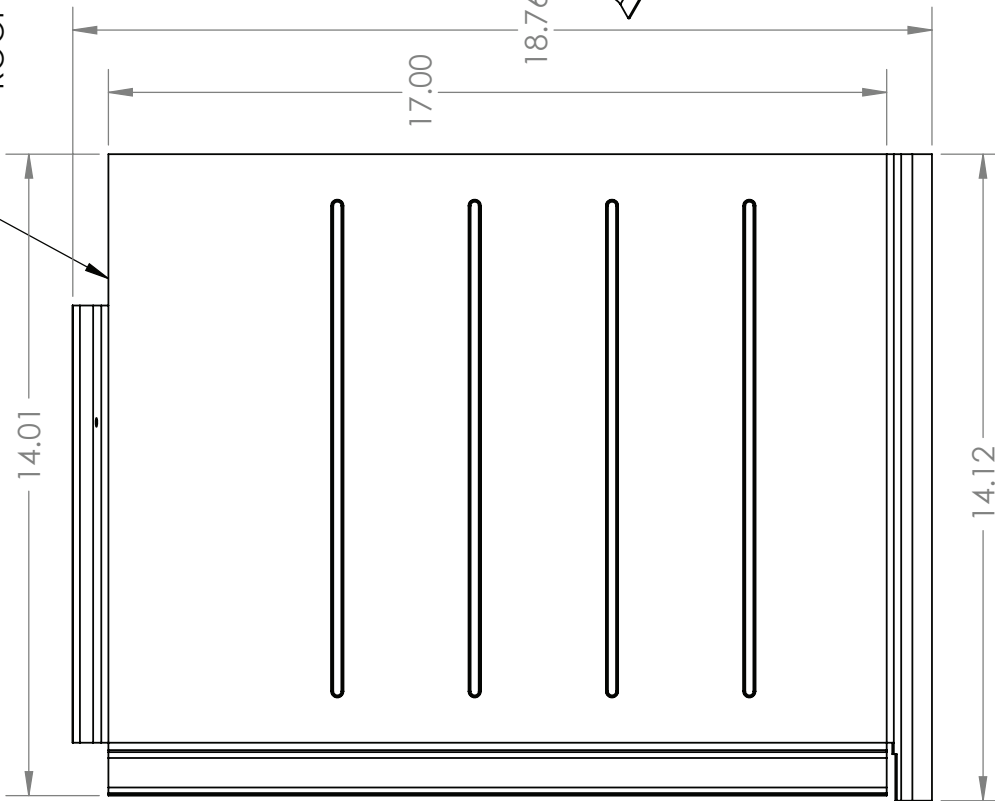
Place the cut Tile Replacement Flashing back over the hook in place of the original tile. For replacement flashings susceptible to movement, adhere flashing to adjacent tile, using roofing adhesive compatible with contacted materials and environmental conditions, according to the TRI Guidelines (see sections MC-21 & MC-24).

WARNING: Quick Mount PV products are NOT designed and should NOT be used for anchoring fall protection equipment.

ITEM NO.	DESCRIPTION	QTY.
1	FLASHING, REPLACEMENT TILE, FLAT, ALUMINUM, MILL	1

AVAILABLE IN MILL AND BLACK FINISHES

THIS EDGE TOWARDS ROOF RIDGE



Quick Mount PV[®]

TITLE: QMC-TRF-F: FLASHING, TILE REPLACEMENT, FLAT TILE, COMPONENT

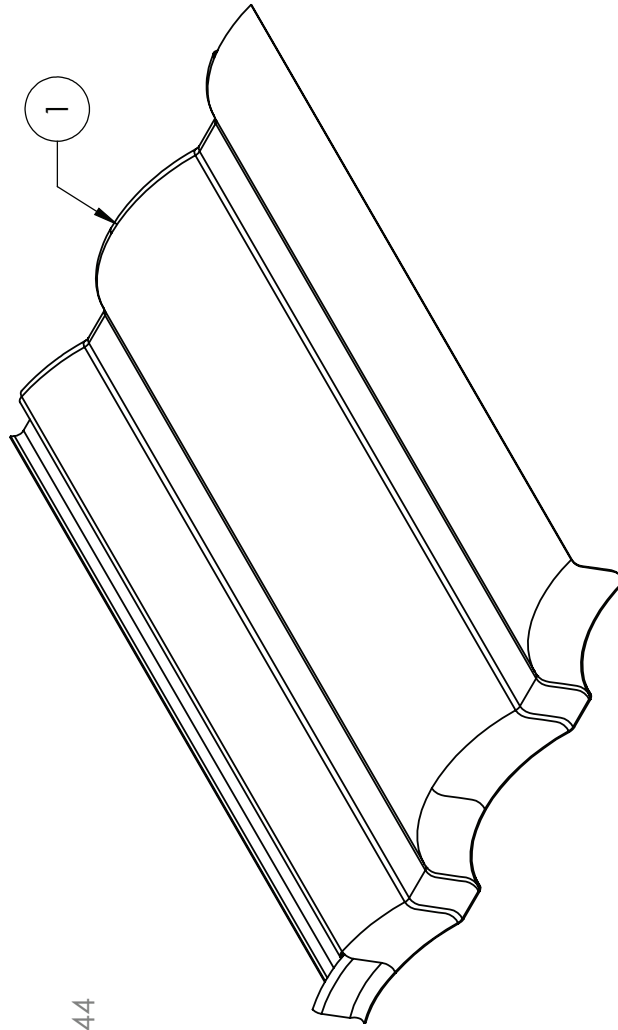
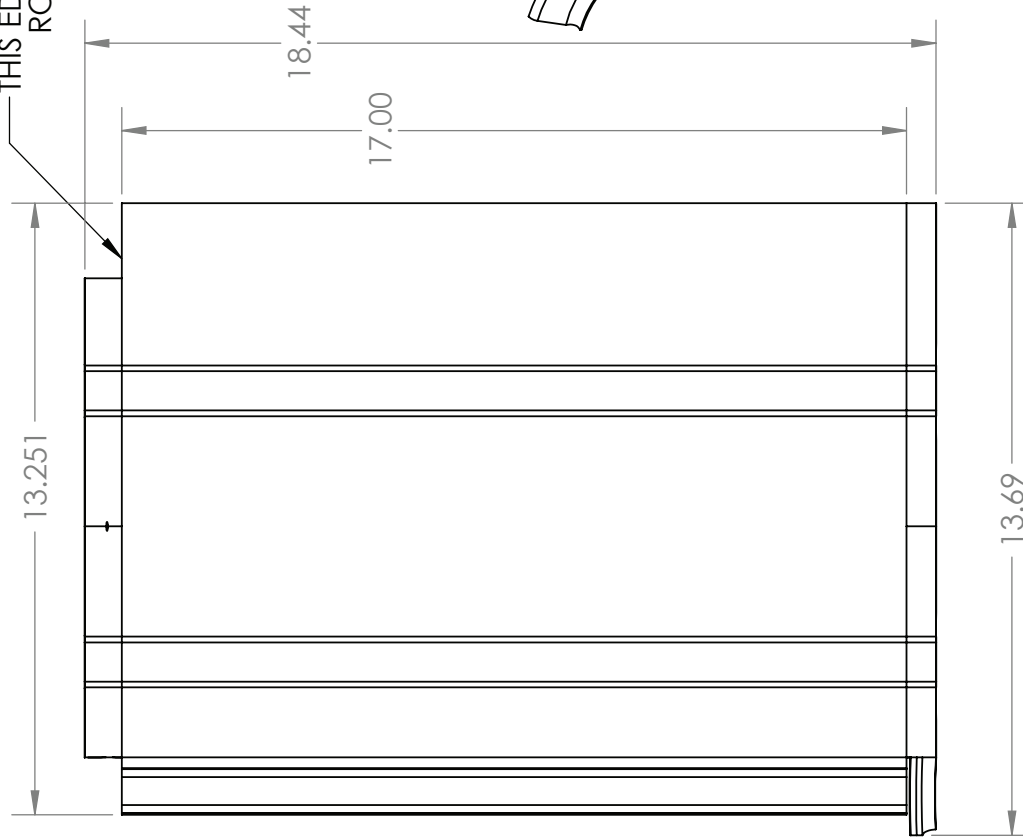
UNLESS OTHERWISE SPECIFIED:	SIZE	DRAWN BY:	REV
DIMENSIONS ARE IN INCHES	A	DATE: 6/9/2017	1
TOLERANCES:			
FRACTIONAL ± 1/8	SCALE: 1:4	WEIGHT: 0.93	SHEET 1 OF 1
TWO PLACE DECIMAL ±.19			
THREE PLACE DECIMAL ±.094			

DO NOT SCALE DRAWING

PROPERTY AND CONFIDENTIAL THE INFORMATION CONTAINED IN THIS DRAWING IS THE SOLE PROPERTY OF QUICK MOUNT PV. ANY REPRODUCTION IN PART OR AS A WHOLE WITHOUT THE WRITTEN PERMISSION OF QUICK MOUNT PV IS PROHIBITED. COPYRIGHT © 2016 QUICK MOUNT PV

ITEM NO.	DESCRIPTION	QTY.
1	FLASHING, REPLACEMENT TILE, W-TILE, ALUMINUM, MILL	1

THIS EDGE TOWARDS ROOF RIDGE



AVAILABLE IN MILL, AND BLACK FINISHES

Quick Mount PV[®]

TITLE:

QMC-TRF-W: FLASHING, TILE REPLACEMENT, W-TILE, COMPONENT

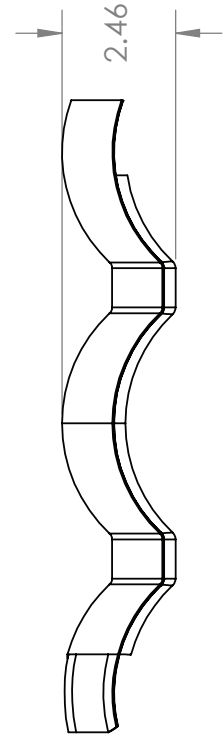
UNLESS OTHERWISE SPECIFIED:
 DIMENSIONS ARE IN INCHES
 TOLERANCES:
 FRACTIONAL ± 1/8
 TWO PLACE DECIMAL ±.19
 THREE PLACE DECIMAL +.094

SIZE **A**
 DRAWN BY:
 DATE: 6/9/2017
 SCALE: 1:4 WEIGHT: 0.92

REV **1**
 SHEET 1 OF 1

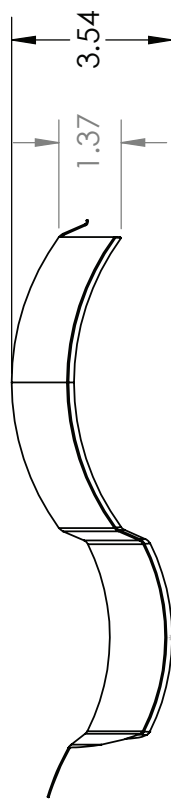
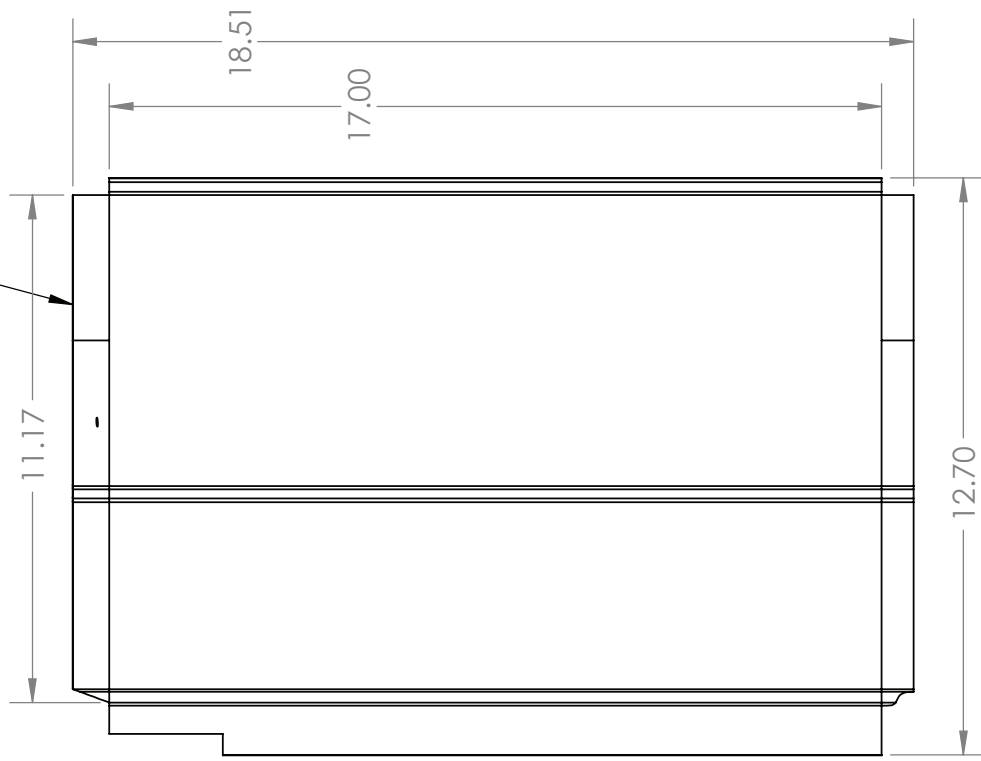
DO NOT SCALE DRAWING

PROPRIETARY AND CONFIDENTIAL THE INFORMATION CONTAINED IN THIS DRAWING IS THE SOLE PROPERTY OF QUICK MOUNT PV. ANY REPRODUCTION IN PART OR AS A WHOLE WITHOUT THE WRITTEN PERMISSION OF QUICK MOUNT PV IS PROHIBITED.



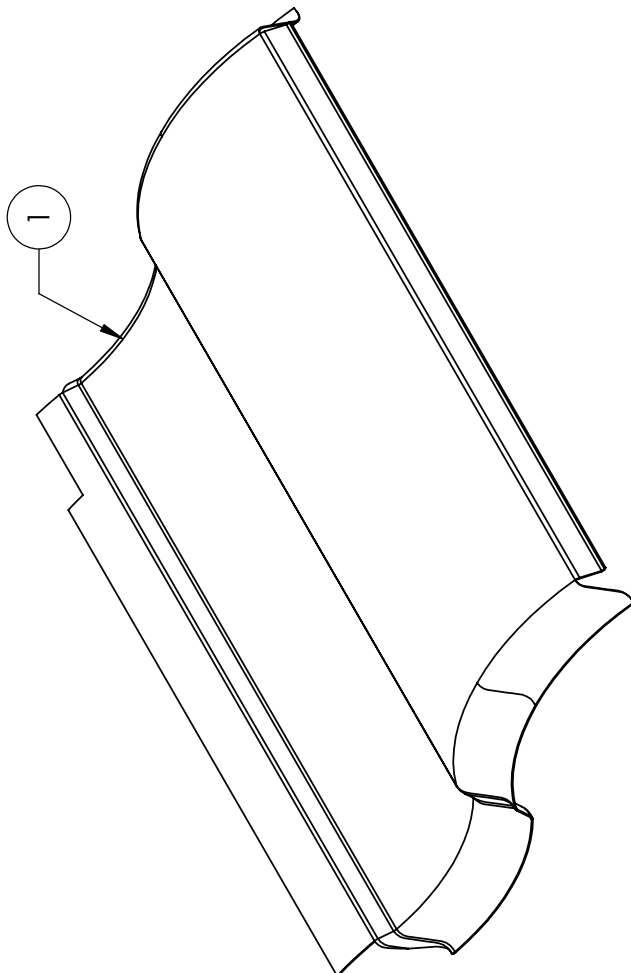
MATERIAL THICKNESS .032

THIS EDGE TOWARDS ROOF RIDGE



MATERIAL THICKNESS .032

AVAILABLE IN MILL, AND BLACK FINISHES



ITEM NO.	DESCRIPTION	QTY.
1	FLASHING, REPLACEMENT TILE, S-TILE, ALUMINUM, MILL	1

Quick Mount PV[®]

TITLE:

QMC-TRF-S A 12: FLASHING, TILE REPLACEMENT, S-TILE, COMPONENT, MILL, 12 PACK

UNLESS OTHERWISE SPECIFIED: DIMENSIONS ARE IN INCHES TOLERANCES: FRACTIONAL ± 1/8 TWO PLACE DECIMAL ±.19 THREE PLACE DECIMAL ±.094	SIZE A	DRAWN BY: RAD	REV 1
	SCALE: 1:4	DATE: 6/9/2017	WEIGHT: 0.87
			SHEET 1 OF 1

DO NOT SCALE DRAWING
 PROPRIETARY AND CONFIDENTIAL
 THE INFORMATION CONTAINED IN THIS DRAWING IS THE SOLE PROPERTY OF QUICK MOUNT PV. ANY REPRODUCTION IN PART OR AS A WHOLE WITHOUT THE WRITTEN PERMISSION OF QUICK MOUNT PV IS PROHIBITED. COPYRIGHT © 2016 QUICK MOUNT PV



925-478-8269 | www.quickmountpv.com | tech@quickmountpv.com
2700 Mitchell Dr. | Walnut Creek, CA 94598