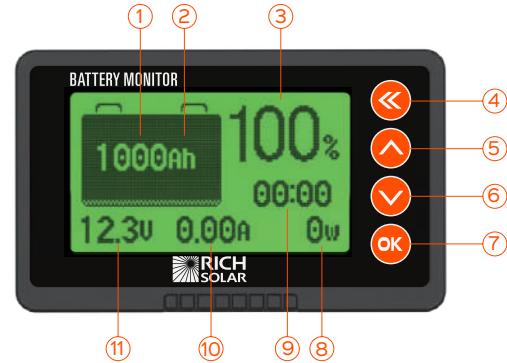


Quick Start Guide

MODEL: RS-BM500



INTRODUCTION

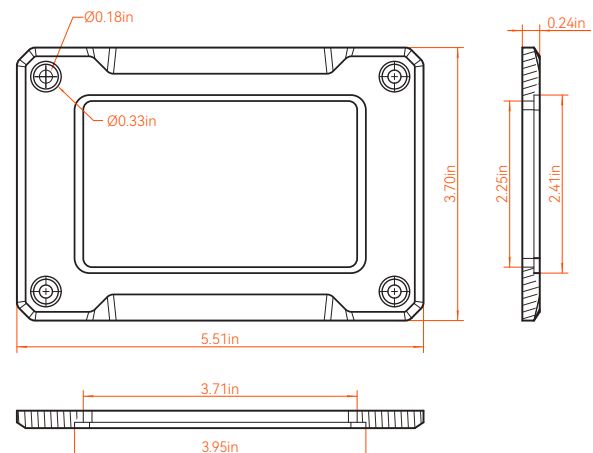


No.	Description
1	Remaining Capacity
2	Charge/Discharge Indicator
3	Percent Remaining
4	Back Button
5	Up Button
6	Down Button
7	OK Button
8	Watts in/out of Battery
9	Time Remaining
10	Amps in/out of Battery
11	Battery Voltage

SPECIFICATIONS

Battery Voltage Range	8-120V
Working Dissipation	10mA
Standby Dissipation	1mA
Capacity Accuracy	±1.0%
Voltage Accuracy	±1.0%
Current Accuracy	±1.0%
Backlight On Current	80mA
Capacity Setting Value	0.1-9999Ah
Current Range	0-500A
Temperature Range	14-140°F

DRAWING OF METAL BEZEL



Model: RS-BM500BZ