

PV ARRAY DC ISOLATOR

Disconnect Switch

8KV

Test Of Rated Impulse
Withstand Voltage

1500V

Nominal Insulation Voltage

IP66NW

Waterproof

32A

Conventional Thermal Current



FEATURES



Quickly disconnect DC power from your solar array to the charge controller, batteries and/or inverters.



Outdoor rated



Off and on grid applications.



Isolated SAFE-LOCK with three rotational positions, reducing the risk of tampering.



Single pull double throw 1 IO.



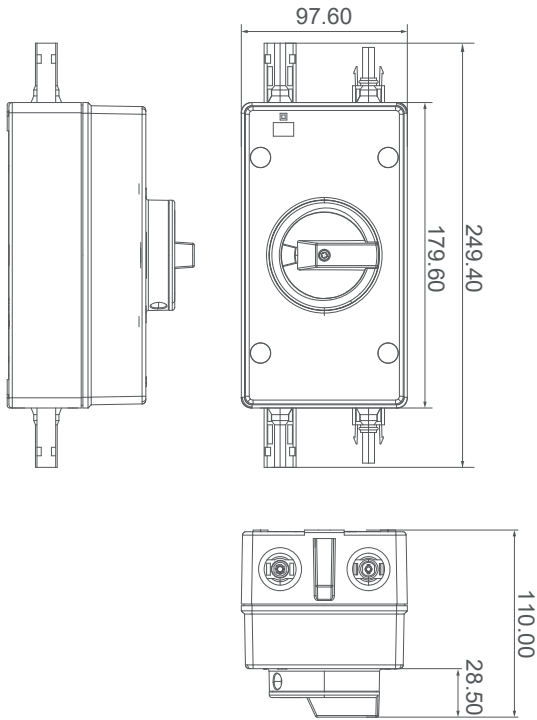
Ensures the disconnection of load circuits and suppression of the arc in under 3 mil secs.



Lock out option.



Output and input connections are built for easy set up and installation.



PRODUCT DIMENSIONS (MM)

SPECIFICATIONS

Max. Rated Current	32 A
Max. Rated Voltage	1500 V
Circuit	2 pole and 1 string
Standard	TUV, SAA,CE,IP certified & ROHS compliant
Waterproof	IP66NW
Arc Time	<3ms
Operating Temperature	-40°F to +185°F (-40°C to +85°C)
Weight	1.7lb / 0.77kg
Dimensions(HxWxD)	9.8x3.8x4.3in / 249.4x97.6x110 mm
Warranty	10 years warranty
Non-corrosive	

WIRING DIAGRAM / SWITCHING EXAMPLES

RS-i2	...2	...4	...4S	...4T
Contacts wiring diagram				
Switching example				