

FOUR MODULE POLE MOUNT

UNI-PGRM/4P1 (for modules 38"- 72" long)

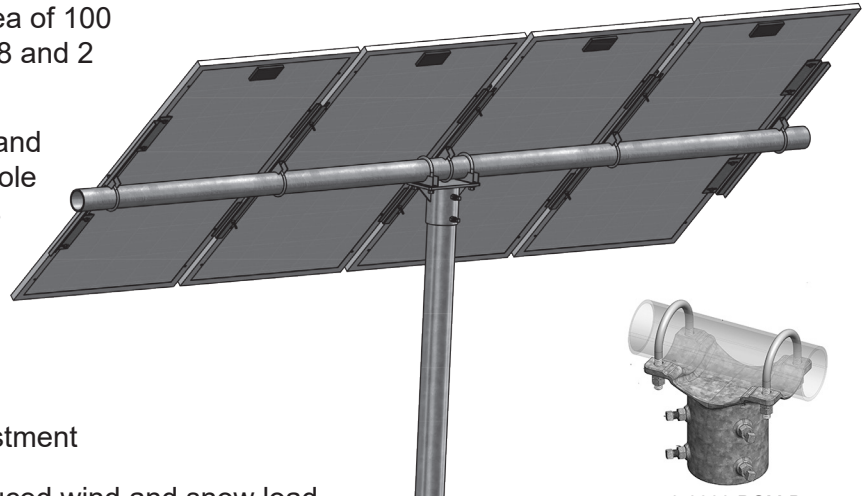
UNI-PGRM/4P1-47 (for modules 72"- 96" long)

VERTICAL AND HORIZONTAL SCHEDULE-40* PIPE IS NOT INCLUDED. PURCHASE LOCALLY.

* Some wind speeds and snow loads require two vertical poles and/or Sch-80 horizontal/vertical pipe.

If an additional vertical pole is required order a 70-0300-PGM-B Pole Cap.

- Mount four solar modules with a total area of 100 sq-ft and a frame thickness between 1.18 and 2 inches*
- Suitable for wind speed up to 150 MPH and snow load up to 20 PSF on one 4-inch pole and up to 100 PSF with two 4-inch poles
- Maximum post height of 6-feet above ground
- Tilt angle from 10° to 60°
- Ships via UPS
- Simple one-person installation and adjustment



70-0300-PGM-B

* Larger modules can be mounted with reduced wind and snow load.

User supplies: Vertical pole - 4-inch steel pipe (4.5-inch OD)

Horizontal beam - 3-inch steel pipe (3.5-inch OD)

See table below to determine pipe requirements. See engineering memo for pier diameter and depth.

Depths range from 5 to 10 feet with diameters of 18-inches or 24-inches.

3-inch horizontal beam must be a minimum of 8-inches wider than 4-times the solar module width.

Pipe Requirements for Various Tilt Angle, Wind and Snow Load - UNI-PGRM/4P1

| Angle | Wind Speed | 0 psf | 10 psf | 20 psf | 30 psf | 50 psf | 80 psf | 100 psf |
|-------|------------|-------|--------|--------|--------|--------|--------|---------|
| 10° | 95 MPH | A | A | B | C | C | C | D |
| | 110 MPH | A | B | C | C | C | C | D |
| | 150 MPH | C | C | C | C | C | C | D |
| 20° | 95 MPH | A | A | B | C | C | C | C |
| | 110 MPH | B | B | C | C | C | C | C |
| | 150 MPH | C | C | C | C | C | C | C |
| 30° | 100 MPH | B | B | B | C | C | C | C |
| | 110 MPH | C | C | C | C | C | C | C |
| | 150 MPH | C | C | C | C | C | C | C |
| 40° | 90 MPH | A | A | B | B | C | C | C |
| | 130 MPH | C | C | C | C | C | C | C |
| | 150 MPH | C | C | C | C | C | C | C |
| 50° | 110 MPH | C | C | C | C | C | C | C |
| | 130 MPH | E | E | E | E | E | E | E |
| | 150 MPH | F | F | F | F | F | F | F |
| 60° | 95 MPH | C | C | C | C | C | C | C |
| | 130 MPH | E | E | E | E | E | E | E |
| | 150 MPH | G | G | G | G | G | G | G |



SCAN ME

Scan the QR Code above to download manuals and engineering certifications from the Tamarack Solar website.

Note A requires 1 Schedule 40 Poles and a Schedule 40 Beam

Note B requires 1 Schedule 80 Poles and a Schedule 40 Beam

Note C requires 2 Schedule 40 Poles and a Schedule 40 Beam

Note D requires 2 Schedule 80 Poles and a Schedule 40 Beam

Note E requires 2 Schedule 40 Poles with 1-foot bollard and a Schedule 40 Beam

Note F requires 2 Schedule 40 Poles with 2-foot bollards and a Schedule 40 Beam

Note G requires 2 Schedule 40 Poles with 3-foot bollards and a Schedule 40 Beam

Blocks that are shaded gray require 2 vertical poles.

Order an additional 70-0300-PGM-B